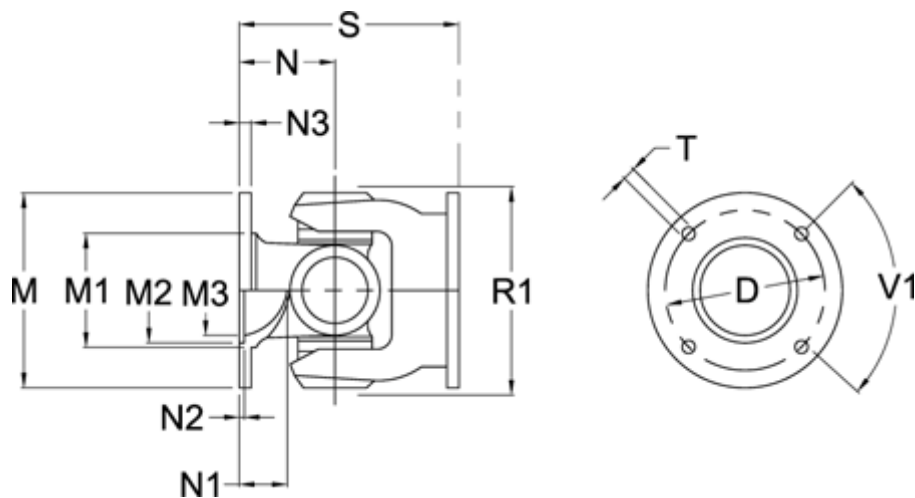


Article number: 07117401001

Description: Universal joint single 0.117.401.001  
S=172 X= Bore with keyway

## Measures



|                            |            |                       |          |
|----------------------------|------------|-----------------------|----------|
| D                          | = 140 +0,1 | N2                    | = 3 +0,5 |
| Flange diameter M          | = 165      | N3                    | = 12     |
| M1                         | = 108      | Number og Flangeholes | = 8      |
| M2                         | = 95       | R1                    | = 158    |
| M3                         | = 83       | S min                 | = 172    |
| Max. Bending Angle degrees | = 30       | T                     | = 16 B12 |
| N                          | = 86       | V1 degrees            | = 45     |
| N1                         | = 29       |                       |          |